

FLEX Quick Start guide



v1.0

IN THE BOX

FLEX
Camera

2 SIM CARDS
Preactivated and inserted
(do not remove)

ANTENNA

INSTALLATION
Strap

REQUIRED (sold separately)

MEMORY CARD
2 to 512 GB class 10
ultra-high speed
new microSD card

8 AA
Alkaline or lithium
new batteries
(non-rechargeable)
OR
LIT-22
Rechargeable lithium
battery pack

BEFORE YOU GO TO THE FIELD — Getting ready, first time use

#1

Download the SPYPOINT app.



#2

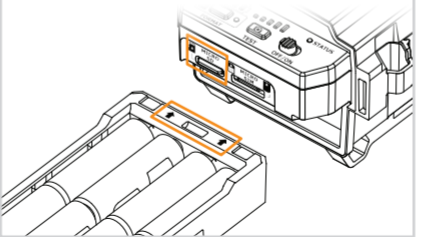
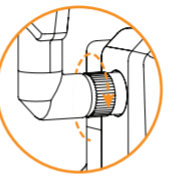
Create an account &
activate your camera
by following the on-
screen instructions.



#3

Screw in antenna
& insert memory
card, batteries.

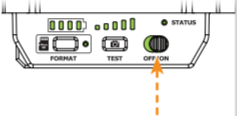
⚠ Insert the tray
following the arrow
orientation.



#4

Turn your
camera ON.

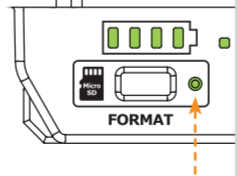
All LEDs will
begin to blink.



#5

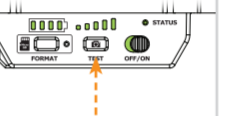
Format your
memory card.

Immediately hold the
format button for 5 s.
FORMAT LED
will turn green.



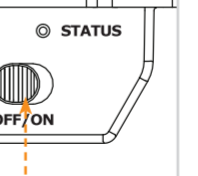
#6

Press the TEST
button to receive
a photo.



#7

Turn your camera OFF
until you're ready to
install it in field.

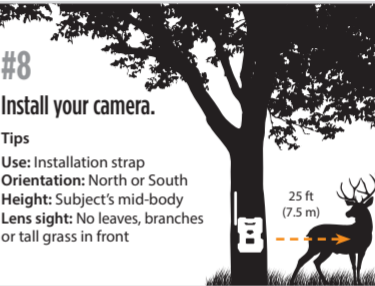


IN THE FIELD

#8

Install your camera.

Tips
Use: Installation strap
Orientation: North or South
Height: Subject's mid-body
Lens sight: No leaves, branches
or tall grass in front



#9

Turn your camera
ON & test it.

(Steps 4 & 6)



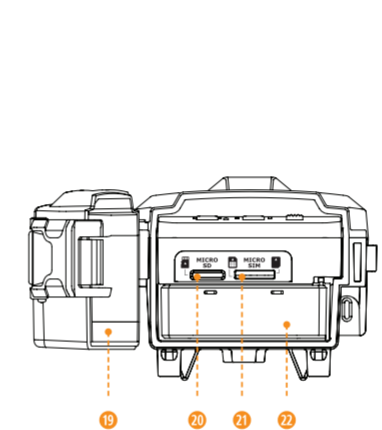
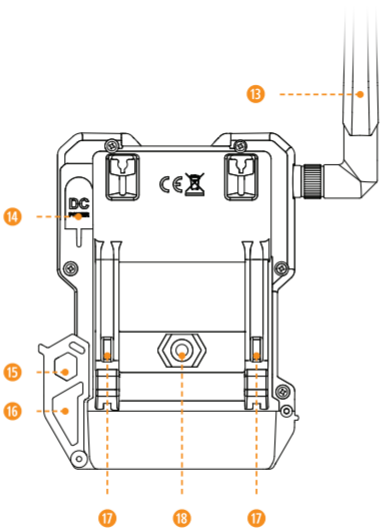
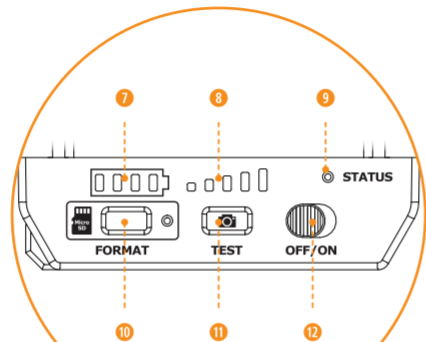
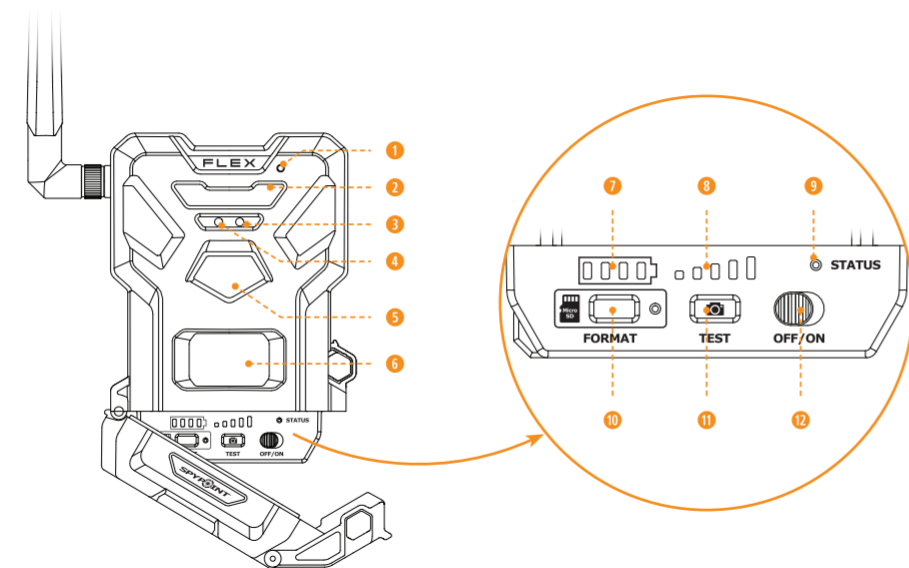
Scan for detailed instructions, complete
user manual & other helpful information.
spypoint.com/flex-guide

Need assistance? We can help with
any camera issues. Just contact us!
spypoint.com/support • 1-888-779-7646



COMPONENTS

- 1 Microphone
- 2 IR LED
- 3 Light sensor
- 4 Delay light
- 5 Photo lens
- 6 Detection lens
- 7 Battery level
- 8 Signal level
- 9 STATUS light
- 10 FORMAT button
- 11 TEST button
- 12 OFF/ON switch
- 13 Antenna
- 14 12 V jack
- 15 Cable lock hole
- 16 Locking latch
- 17 Slots for installation strap
- 18 Screw-thread for standard 1/4"-20 tripod mount
- 19 Battery door
- 20 microSD card slot
- 21 Micro SIM card slots
- 22 Battery tray



DISPOSAL

Only use original spare parts and accessories.

If, one day, your camera has been used so intensively that it has to be replaced, or if you no longer have any use for it, you are obliged to dispose of it at a recycling center.

Information on return points for your electrical appliance can be obtained from your local waste disposal company or from your local administrative offices.

Electrical appliances not only contain valuable recyclable raw materials, but also substances which, if disposed of improperly, can affect public health and the environment. Help ensure that valuable raw materials are recycled by returning your old appliance to a central collection point.

The WEEE (Waste Electrical and Electronic Equipment Directive) symbol represents the obligation.



FREQUENCY

Details available on the FLEX help web page (spypoint.com/flex-guide)

FCC

FC This device complies with part 15 of the FCC rules.

Operation is subject to the following two conditions:

1. This device must not cause harmful interference.
2. This device must accept any interference received, including interference that may cause undesired operation.

WARRANTY

2-year limited warranty, visit spypoint.com/warranty for complete details.

Thank you for choosing SPYPOINT