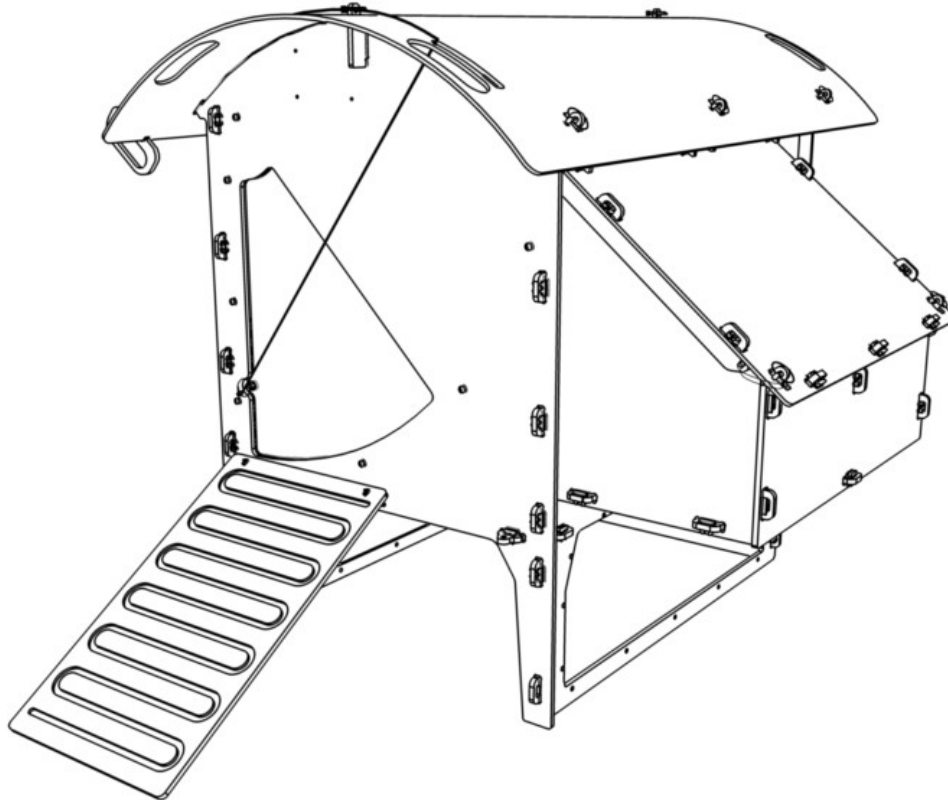




HOW TO ASSEMBLE, USE AND CARE FOR YOUR Chicken Lodge (Medium)



RECYCLED & RECYCLABLE

Products from green frog designs are made, wherever possible, from materials that are recycled. Where this is not practical, we always try to use materials that are suitable for recycling.

Our plastic is made from recycled waste plastic, predominantly plastic wrapping and carrier bags. By choosing our products, rather than those made from virgin plastic, you are helping to restrict the amount of new plastic being made. We recycle all our waste plastic and, of course, our products themselves can be recycled (if they ever wear out!).

The recycled plastic we use is incredibly tough, but is as easily worked as wood. There is no need for preservative treatment with insecticides or fungicides, and structures won't splinter or crack, so they retain their structural integrity well. The plastic is resistant to UV light, so it retains its colour well, and is pretty much impervious to atmospheric pollutants and seasonal climatic actions such as freeze-thaw. It insulates quite well, and is also resistant to chewing. These properties mean that it retains its appearance, colour and functionality for much longer than timber.

The sheets of recycled plastic have a very uniform thickness, and so are ideally suited to our high-technology manufacturing process, which uses computer-controlled machines to cut shapes to accuracies better than 0.1mm.

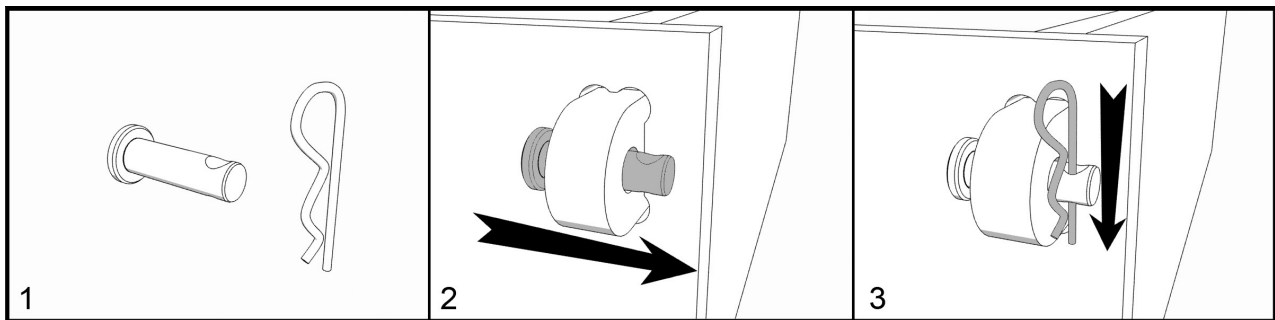
We also use some metal components to fix parts together. The metals used are either stainless steel or other rust-resistant alloy, so they have a very long lifetime. They are also suitable for recycling.

Our packaging and literature is all made from recycled materials wherever possible. For example, assembly instructions are printed on recycled paper, and we use recycled plastic bubble-wrap in our packaging. Even our business cards are made from 80% recycled card.

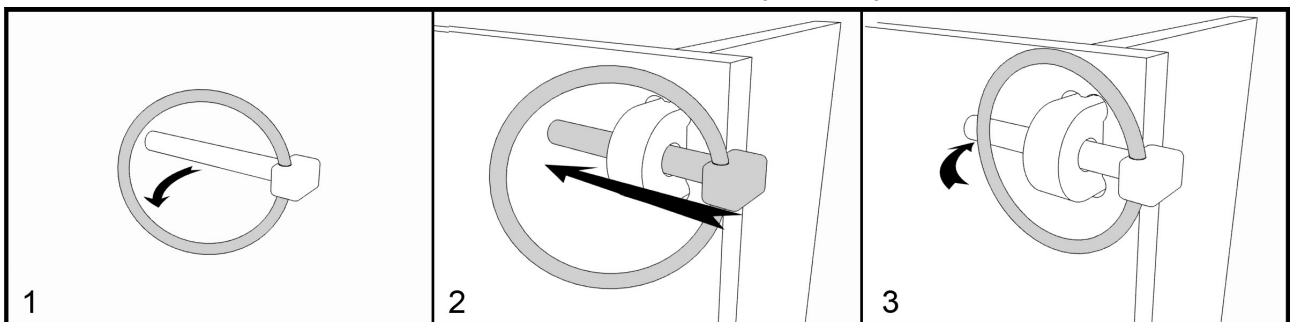
In other words: **Fun, functional products that don't cost the Earth!**



HOW TO FIT A CLEVIS PIN (IF USED)

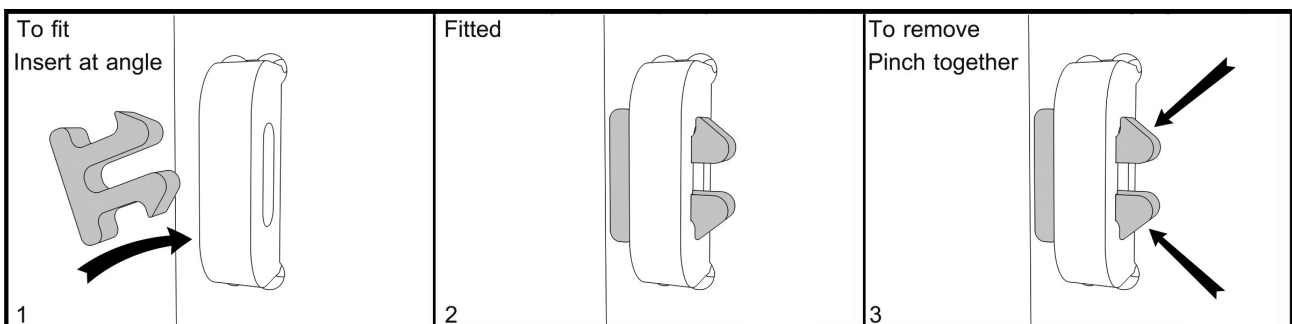


HOW TO FIT A LINCH PIN (IF USED)

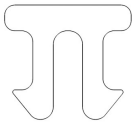


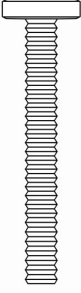

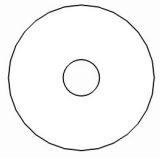

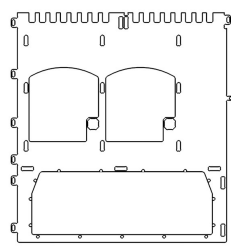
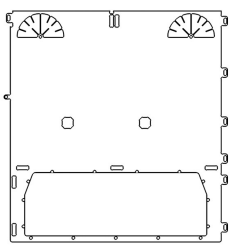
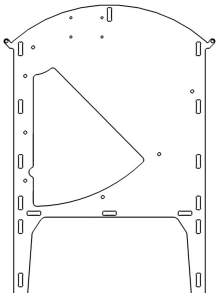




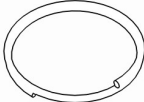
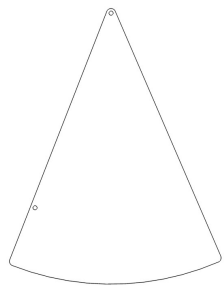
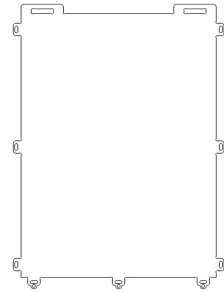
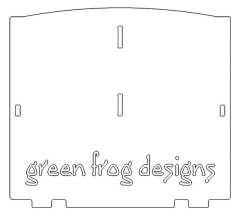
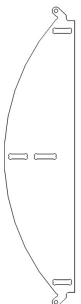




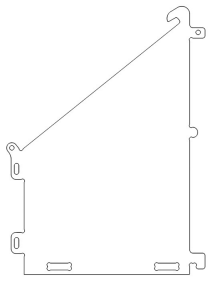
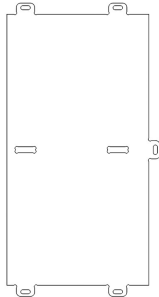
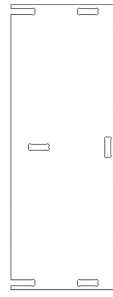
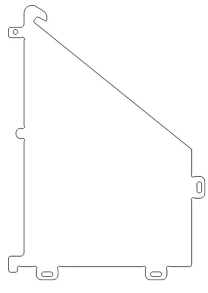
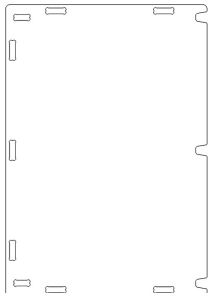
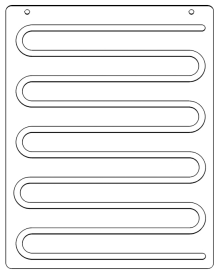
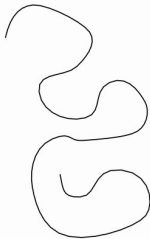
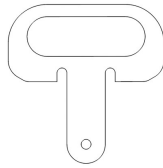
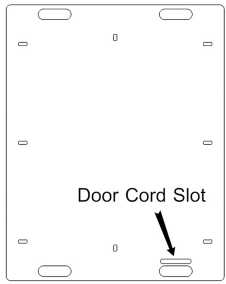

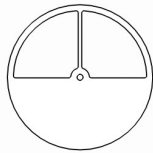
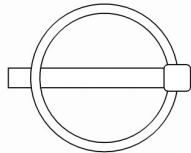

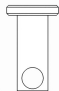
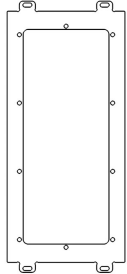

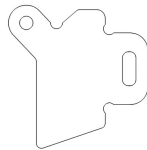
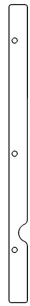

You only need to move the ring slightly away from the bar. They are designed to spring closed, so watch your fingers!

HOW TO FIT AND REMOVE A PI CLIP



PARTS (Not to scale)

				
54x Pi Clip	2x 6mm R-Clip	5x 1x 30mm Screw 20mm Screw	3x 40mm Screw	11x Standard Washer
				
3x 25mm washer	9x Nylock Nut	1x Left Side Wall	1x Right Side Wall	1x Front Wall
				
1x Small Curved Door Retainer	1x Large Curved Door Retainer	2x Nest Box Side Brace	1x Nest Box Front Brace	1x Split Ring
		 <i>green frog designs</i>		
1x Metal Door	1x Base	1x Back Door	1x Upper Back Wall	1x Roof Support

				
2x End Roof Retainer	2x Nest Box End Wall	1x Nest Box Floor	1x Nest Box Front Wall	1x Nest Box Divider
				 <p>Door Cord Slot</p>
1x Nest Box Lid	1x Ramp	1x Cord 148 cm	1x Door Handle	1x Roof
			 	
2x Perch (Perch models only)	2x Vent Cover	19x Linch Pin (15 on Non-Perch model)	2x Long Clevis Pin 1x Short Clevis Pin	1x Lower Back Wall
				Automatic Door Opener (Optional): Qty 4 x 4mm Screw Qty 4 x 4mm Washer Qty 4 x 4mm Nylock Nut
1x Back Door Handle	2x Side Roof Retainer	1x Large Straight Door Retainer	1x Small Straight Door Retainer	

DIMENSIONS

External Dimensions: 95 (w) x 99 (h) x 85 (d) cm (excluding ramp and roof overhang, including nest boxes)
Roof Dimensions: 88(w) x 112(d)
Internal Floorspace: 59 (w) x 80 (d) cm (excluding nest boxes)

TOOLS REQUIRED

Sharp knife (e.g. Stanley Knife) or Sand Paper
Large size cross head screwdriver
10mm ring spanner (or socket wrench or adjustable spanner)
Small flat-bladed screwdriver (optional)

PRE-ASSEMBLY CHECKS

Prior to assembly, check that you have all the required parts. Please be aware that, being a recycled material, some minor surface blemishes or defects may have occurred during manufacture. These will not affect the functionality of your product.

Trim any excess plastic using sand paper or a sharp knife. **(NOTE: Be careful to cut away from yourself.)**

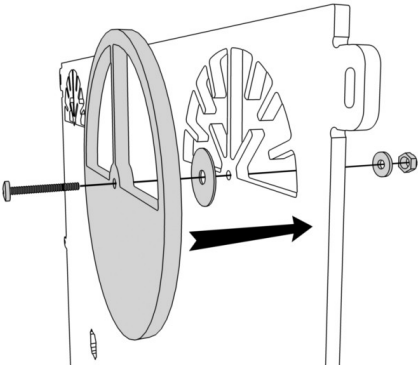
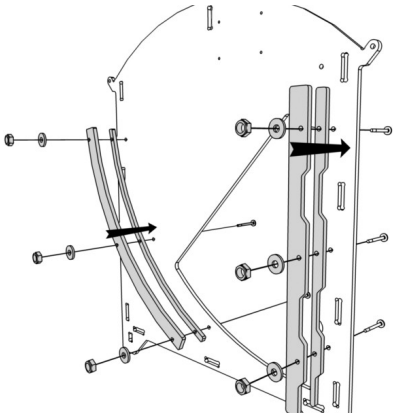
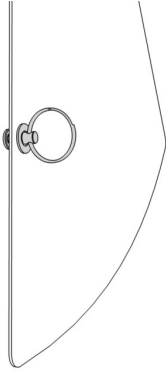
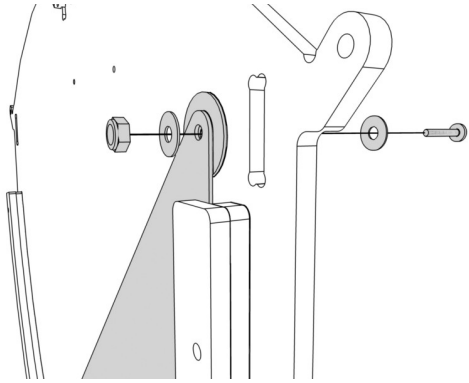
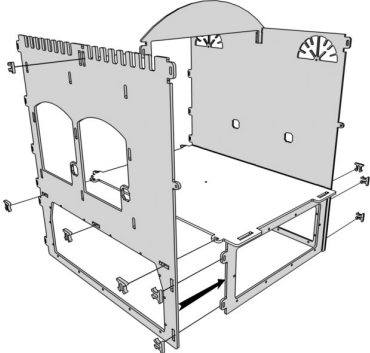
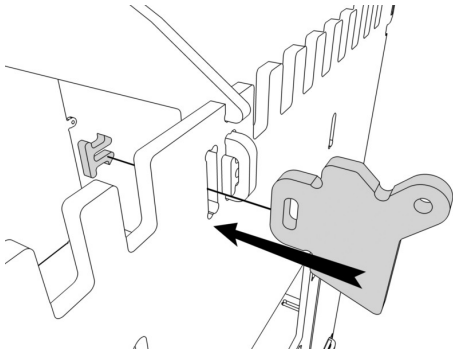
If any parts are missing, please email sales@greenfrogdesigns.co.uk

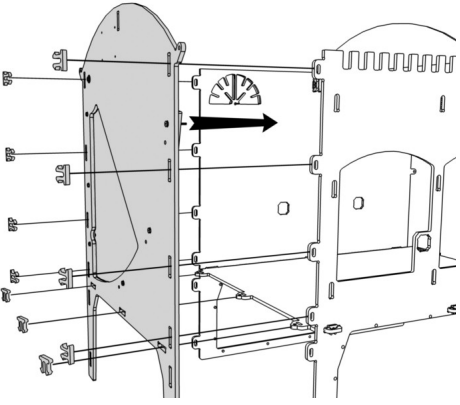
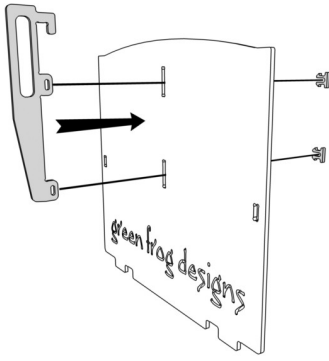
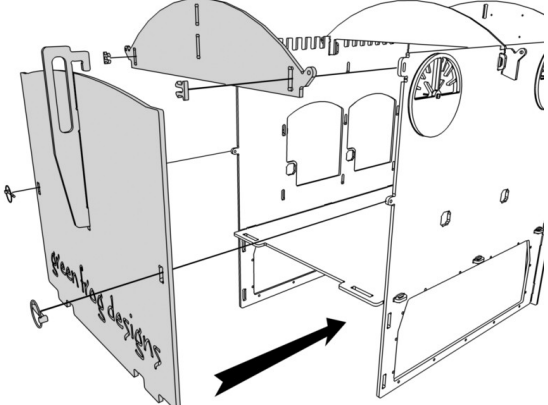
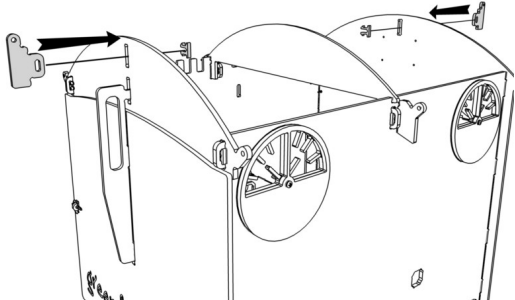
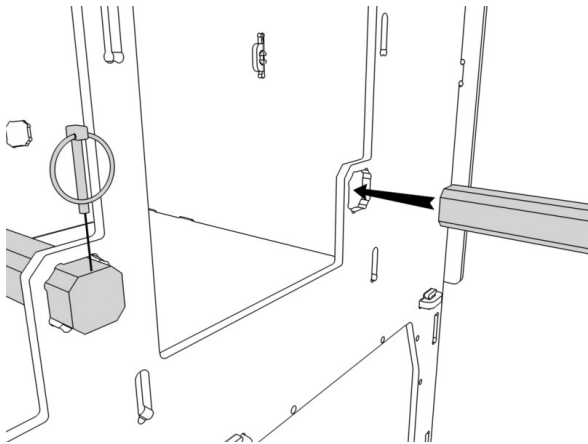
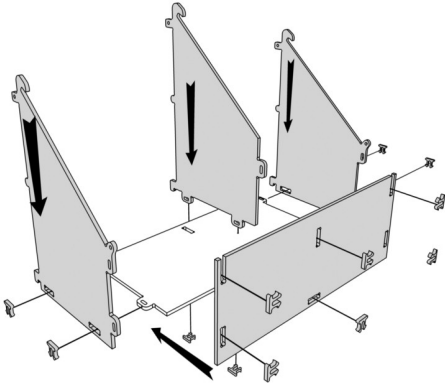
Please state the part number, quantity missing, your phone number and your full postal address.

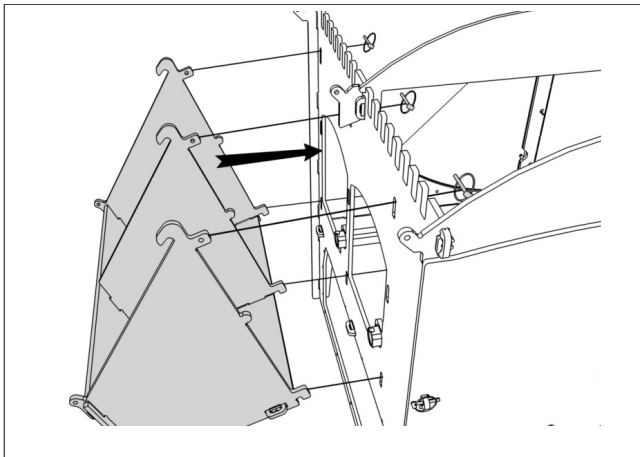
SPARE PARTS

Spare parts are available to order online via our website: www.greenfrogdesigns.co.uk

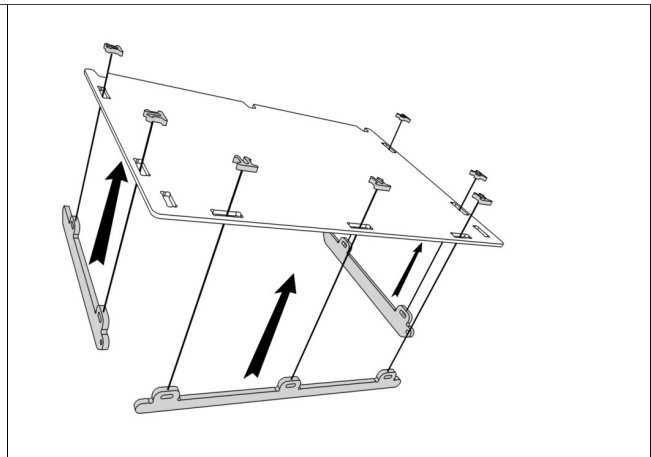
HOW TO ASSEMBLE

	
<p>1 Fit two Vent Covers to the patterned face of the Right Side Wall each using an M6x30mm screw, a standard washer, a 25mm washer and a nylock nut. Tighten the nuts until the vents can rotate using gentle pressure. They should not spin freely. The Left Side Wall has vent slots, to ensure the chickens have some fresh air at all times.</p>	<p>2 Fit the Small and Large Curved Door Retainer, and the Small and Large Straight Door Retainer to the smooth (inside) side of the Front Wall using 30mm and 40mm Screws, Standard Washers, and Nylock Nuts. These pieces form a recess into which the door fits when closed, to make the door resistant to fox attack.</p>
	
<p>3 Fit the Small Clevis Pin into the hole in the Metal Door from behind, and secure it using a washer and split ring. This can be a little awkward. We find that holding the split ring open by inserting a flat-bladed screwdriver between the rings can make this task easier. But please mind your fingers!</p>	<p>4 Place the Metal Door in position, and secure it with a 20mm screw, two Standard Washers, a 25mm Washer and a Nylock Nut. Tighten the Nylock Nut until the door can just rotate freely.</p>
	
<p>5 Fit both Side Walls to the Lower Back Wall and Base using Pi Clips. Ensure that the Double-hole lugs are at the front. Then fit the Roof Support using Pi Clips. NOTE: The Base may be fitted either way up (we recommend patterned side upwards).</p>	<p>6 Fit two Side Roof Retainers, one on each side wall, using Pi Clips.</p>

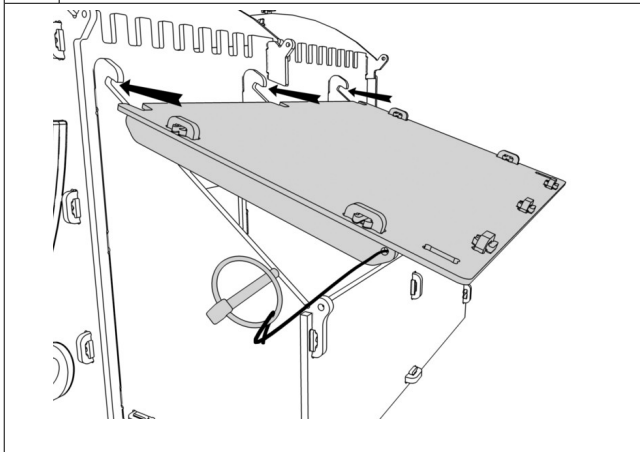
	
<p>7 Fit the Front Wall (patterned face outermost) to the end with the double-hole lugs using Pi Clips.</p> <p>NOTE: If you have purchased a Leg Set (optional accessory), the Front Leg Extensions should be fitted at this stage. See end of this leaflet for details.</p>	<p>8 Fit the Back Door Handle to the Back Door using Pi Clips.</p>
	
<p>9 Fit the Upper Back Wall using Pi Clips and then the Back Door using Linch Pins. (When fitting, rest the bottom of the Back Door in the slots in the Base first, push the door onto the lugs, and slide the Back Door Handle downwards to lock the Back Door.)</p>	<p>10 Fit End Roof Retainers to the Front Wall and Upper Back Wall using Pi Clips.</p>
	
<p>11 (Note: Skip this step for non-perch models) Slide the Perches through the Left and Right Side Walls and secure with Linch Pins at both ends.</p>	<p>12 Fit the Nest box End Walls and Nest Box Divider to the Nest Box Floor, then add the Nest Box Front Wall, all using Pi Clips.</p>



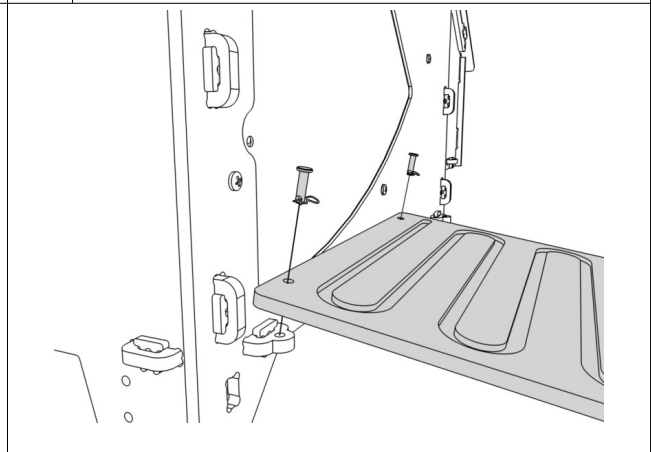
13 Fit the nest box to the house by first inserting the L-lugs into the lower holes on the **Right Side Wall**, then tilting the nest box to push the three upper lugs through their holes, before securing them inside the main house with **Linch Pins**.



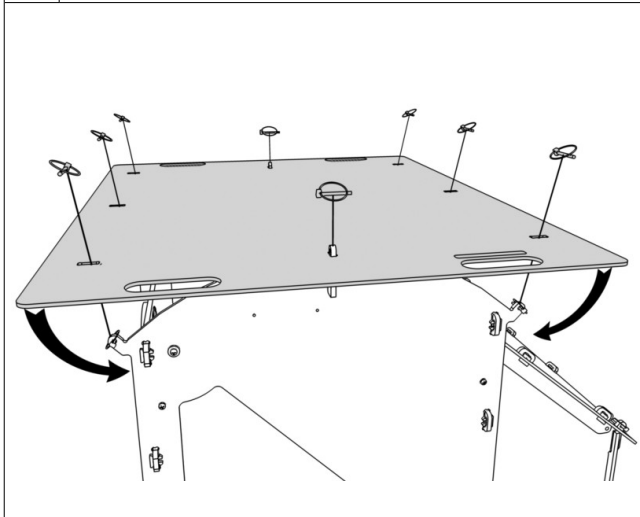
14 Fit the **Nestbox Front Brace** and the two **Nestbox Side Braces** to the **Nestbox Lid**, which should have its patterned side upwards, using **Pi Clips**.



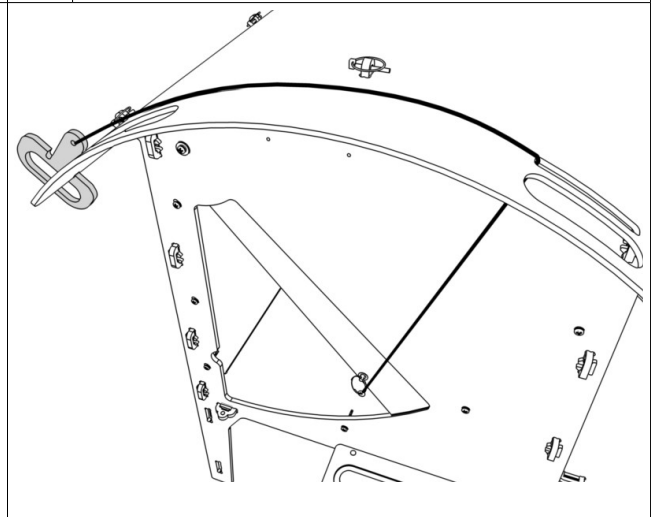
15 The **Nest Box Lid** simply slides upwards so that the cutouts fit into the recesses in the vertical panels. It is secured with **Linch Pins** which can be tied to the **End Braces** using 30cm of cord, for each.



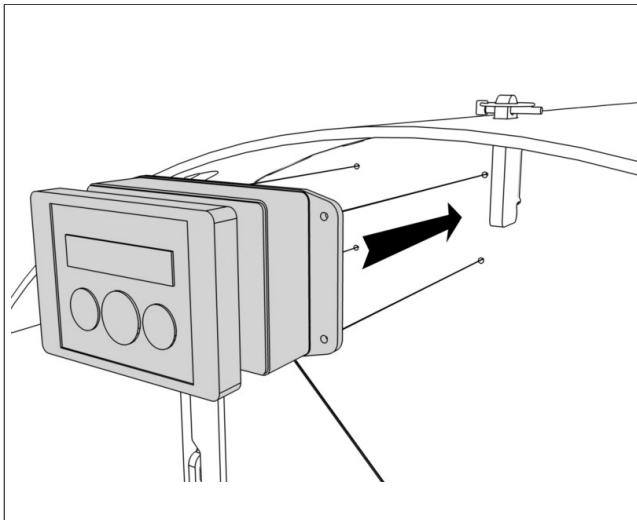
16 Fit the **Ramp** under the door using the two **Long Clevis Pins** and **R-Clips**. It will tilt to the ground under its own weight.



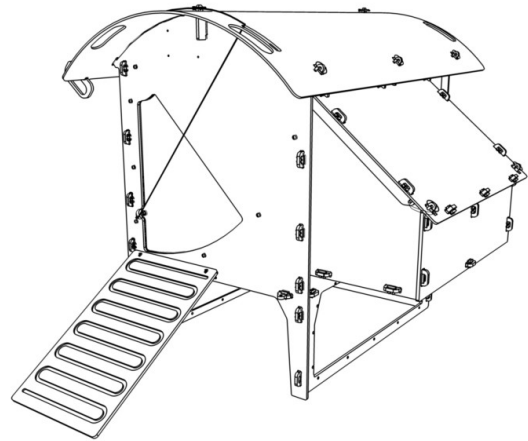
17 Fit the **Roof** using **Linch Pins**. Fix the centre first, then bend the sides down over the remaining lugs. Ensure the **Handle hole** is to the front.



18 **MANUAL DOOR ONLY:** Tie one end of the **Cord** to the **Split Ring** in the **Front Door** and the other to the small hole in the **Door Handle**. The **Cord** should pass through the handle slot. Adjust the length of the cord so that, when the door is fully raised, the handle just hooks onto the edge of the opposite handhold or the roof edge.



19 **AUTOMATIC DOOR ONLY:** If you have a Chickenguard automatic door opener, use four **4mm Screws, Washers, and Nylock Nuts** to secure it to the holes provided. Instructions for setting it up are provided with the opener itself.



20 You've finished - Have a cup of tea!

INSTRUCTIONS FOR USE

The Chicken Lodge should be sited in a sheltered area with the front facing away from prevailing winds. Vents should be adjusted to provide adequate ventilation.

The rear door can be used for inspection, and regular cleaning. For thorough cleaning and replacing of bedding, the entire roof can be removed.

This Chicken Lodge is designed to be moved by two people, using the handholds cut into the roof.

We recommend thorough cleaning at least every 3 months – a pressure washer is ideal for removal of caked on dirt, but an ordinary hosepipe and scrubbing brush will do. The plastic is quite easy to clean. Finish by applying Poultry Shield (or similar) and leave to dry.

For protection against red mite, we recommend sprinkling a little diatomaceous earth (Diatom powder) around the house, particularly the joints, each time bedding is refreshed.

If you use shavings as bedding material, we recommend that you use droppings trays to contain the shavings. They will keep the shavings dryer, and make cleaning the house simply a matter of removing the trays and tipping the shavings onto your compost heap. These trays are available from our website: www.greenfrogdesigns.co.uk.