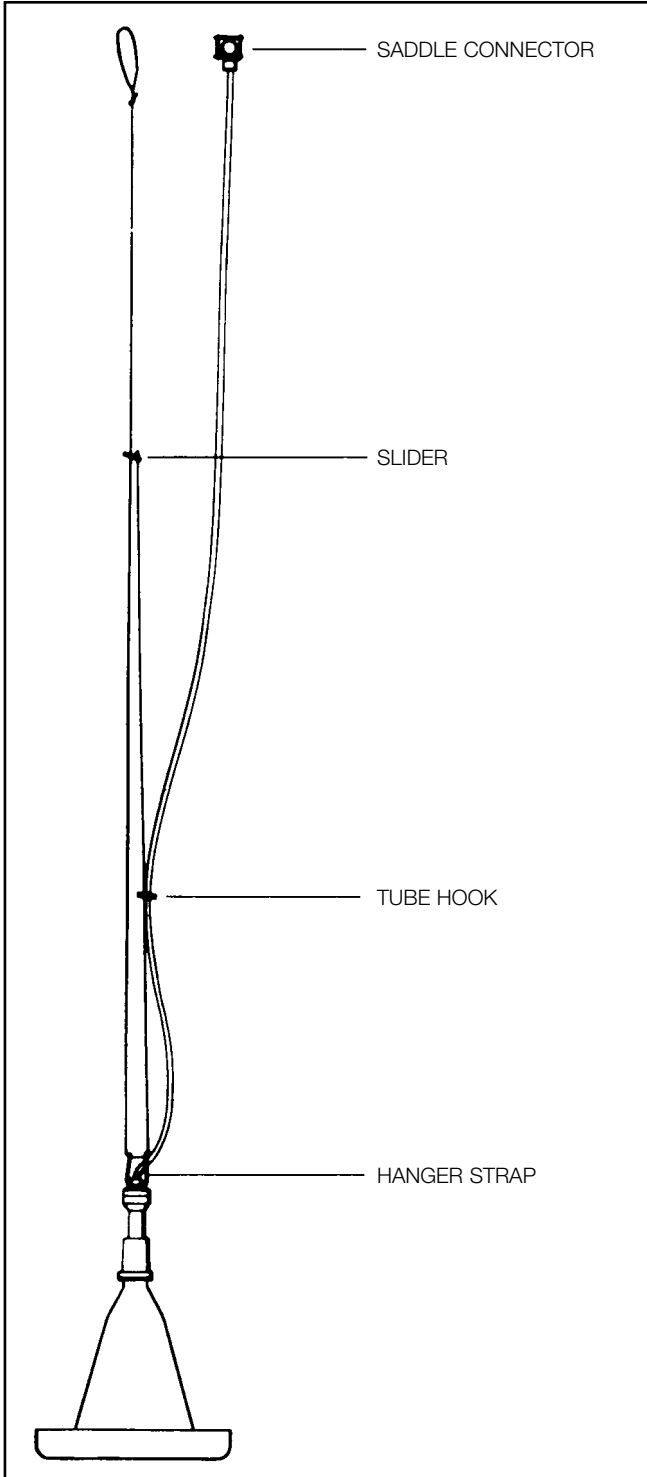


ORIGINAL

BEC 75

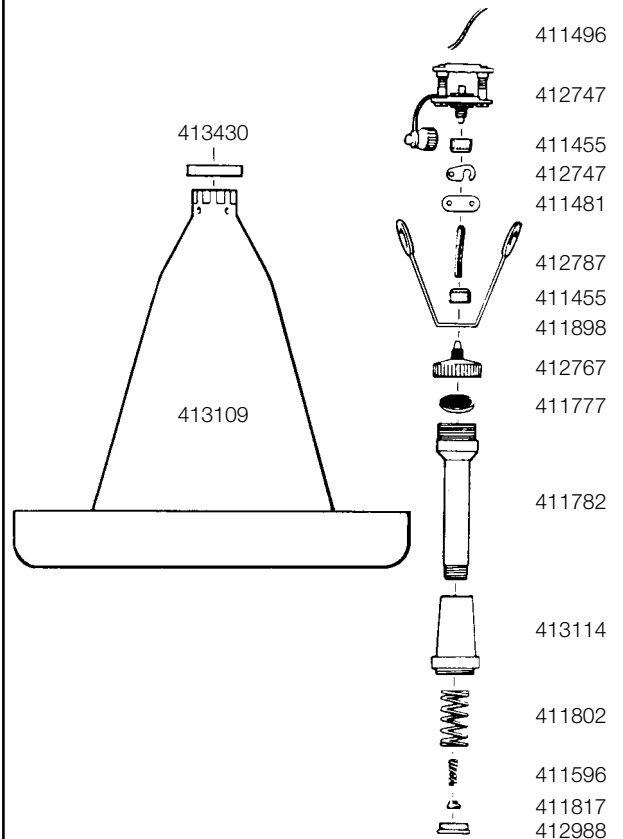
OPERATION



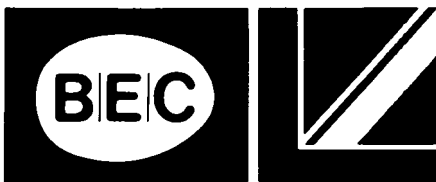
PARTS LIST

KEY

- 412747 SADDLE CONNECTOR COMPRESSION
- (Part of 412747) TUBE HOOK
- 412787 WATERMASTER TUBING NEW
- 411455 1/4" BSP NUT
- 412767 FILTER TOP COMPRESSION
- 411777 FILTER DISC
- 411782 STEM
- 413114 ADJUSTER COLLAR
- 411802 MAIN SPRING
- 411596 VALVE SPRING
- 411817 VALVE WASHER
- 412988 VALVE SEATING BEC 75
- 413109 CONE BEC 75
- 411898 HANGER STRAP
- 411481 SLIDER
- 413430 ANTI-SPLASH RING
- 411496 CORD PLASTIC COVERED



The Broiler Equipment Company



A Part of **Osprey Ltd**

6/7 Mynd Industrial Estate, Church Stretton, Shropshire SY6 6EA

Tel: 01694 723478 Fax: 01694 724096

Email: bec_osprey@hotmail.com Website: www.bec.uk.com

ORIGINAL

BEC 75

Assembly & Operating Instructions

PLUMBING

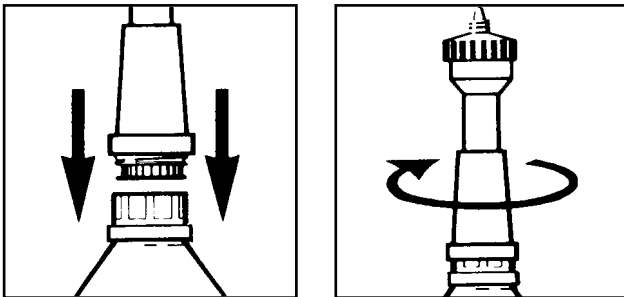
General Installation:

Internal plumbing should be galvanised 1/2" or 3/4" piping. Plastic piping may be used but well supported, as sagging can cause air locks. Connect Waterers to the piping with the Saddle Connector supplied. Drill a 9/32" or 5/16" hole into the piping and place the Saddle Clamp over. Do not overtighten the Saddle Clamp as this may create distortion and leakage.

Although the B.E.C. 75 is fitted with its own filter element, a line filter in each house installation is recommended.

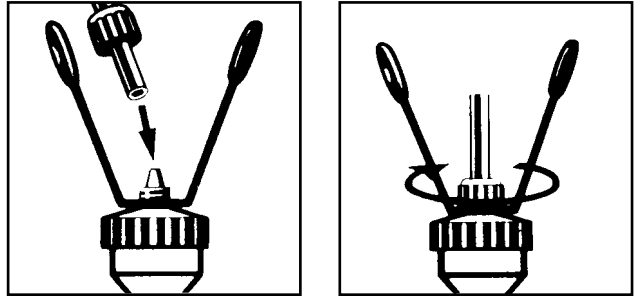
The B.E.C. 75 is designed to work on a low pressure water supply, that is below 5p.s.i. (.35 bar). Ideally the supply should be from a header tank 8-12ft. above the ground.

1 ASSEMBLY



Insert the black valve unit into the top of the cone, valve downwards. Before inserting the valve into the top of the cone, check to ensure the top and bottom caps (part nos 412767 and 411822) are not loose. Push the black adjuster collar down until it locates into the threads. **Care must be taken not to cross the threads.** Continue screwing in a clockwise direction until the ratchet is reached. Normally, eight clicks give a starting point for adjustment. Level can then be controlled by rotating the adjuster collar clockwise for more depth, anti-clockwise for less. B.E.C. 75's should be installed and filled at least 24 hours before introducing the birds to ensure that they are working correctly. If a unit overfills, carefully dismantle the valve and check for any dirt or contamination. Reassemble and retest.

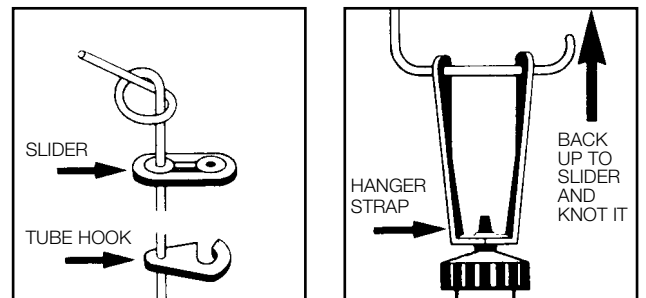
2 TUBE CONNECTIONS



Place a nut, thread outwards, onto the end of the tube. Push Hanger Strap over filter top. Push the tube onto the tapered end of the filter top as far as it will go. Tighten the nut firmly. Repeat at the Saddle Connector end.

3 SUSPENSION

Tie a looped knot in one end of the hanging cord. Pass the other end through one eye of the Slider, then through the small eye of the Tube Hook, then through both eyes of the Hanger Strap. Finally, pass this end back up to the Slider and knot it through the remaining eye. The B.E.C. 75 is suspended by this cord from the looped knot end. (SEE SUSPENSION DIAGRAM OVERLEAF).



For the most efficient operation, it is necessary to suspend the Waterers above the height of the backs of the birds. With large birds and Layers the Waterers should be set at about their eye level.